

ACQ GUIDE[®]

STEERABLE SHEATH



OPTIMAL MANEUVERABILITY

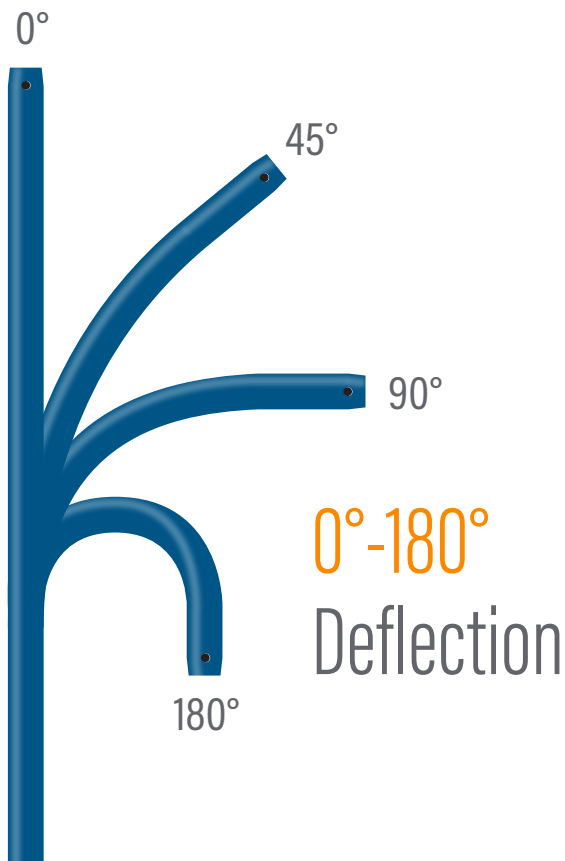
Unidirectional steering with 0°-180° deflection

INCREASED CONTROL

Braided shaft provides improved torque response and stability

ATRAUMATIC TIP

Seamless transition into vasculature and septal crossing



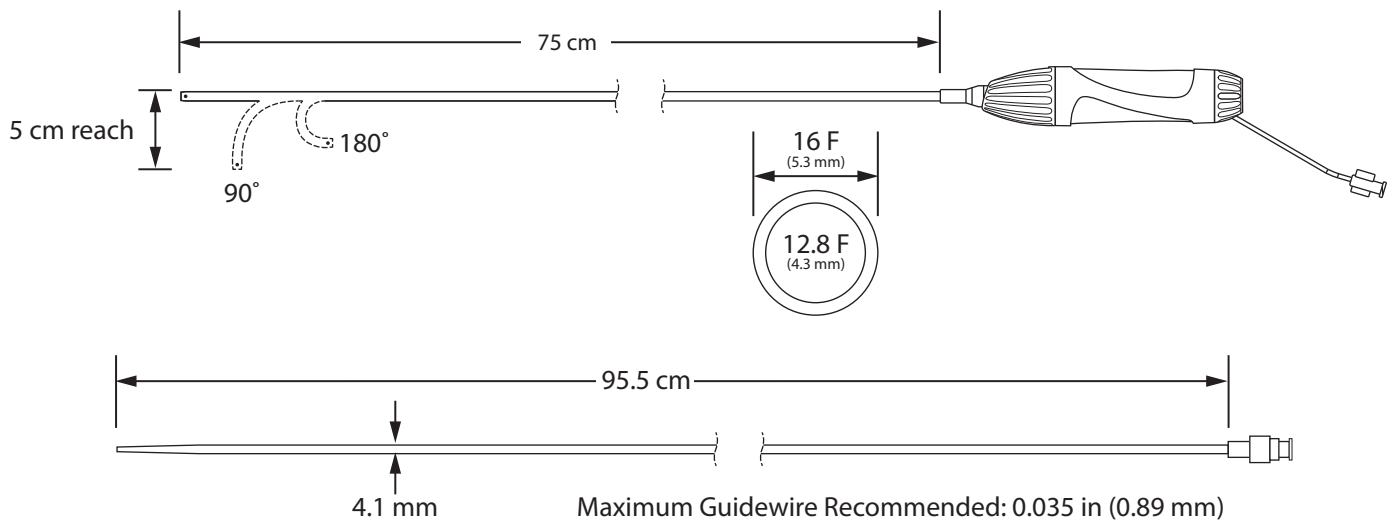
Smooth Tip-to-Dilator Transition



Two Sheath Side Holes

INTENDED USE

The AcQGuide is intended for percutaneous catheter introduction into the vasculature and into the chambers of the heart. The AcQGuide deflection facilitates catheter positioning.



ORDER NUMBER	DESCRIPTION	I.D.	O.D.	DILATOR GUIDEWIRE COMPATIBILITY	WORKING LENGTH	OVERALL LENGTH
900002	AcQGuide Steerable Sheath	12.8 F	16 F	0.035 in	75 cm	95.5 cm

For more information please contact your Acutus Medical representative:

ACUTUS MEDICAL, INC.

2210 Faraday Ave
Suite 100
Carlsbad, CA 92008
United States
Tel: +1-442-232-6080

ACUTUS MEDICAL NV

Ikaroslaan 25
1930 Zaventem
Belgium
Tel. +32 2 669 75 00
Fax. +32 2 669 75 01

Prior to using these devices, please review the instructions for use for a complete listing of indications, contraindications, warnings, precautions, potential adverse events and directions for use. The AcQMap and AcQGuide devices are CE Marked and FDA cleared.

For further information regarding Acutus Medical and its products, please visit acutusmedical.com

Acutus Medical, the Acutus Medical logo and AcQGuide are registered trademarks of Acutus Medical, Inc. This material is the property of Acutus Medical and its subsidiaries. Please do not copy, forward, or distribute this document. Copyright © 2019 Acutus Medical, Inc. All rights reserved.