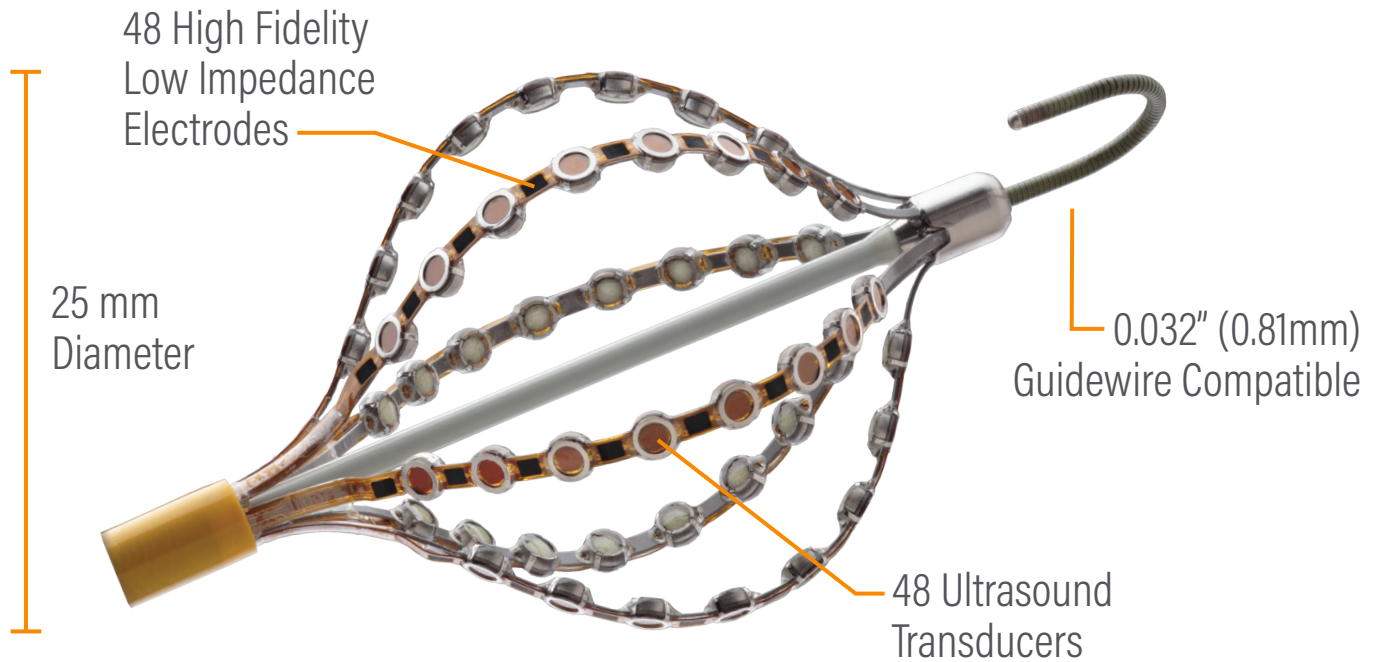


ACQMAP®

3D IMAGING + MAPPING
CATHETER



ULTRASOUND ANATOMY RECONSTRUCTION

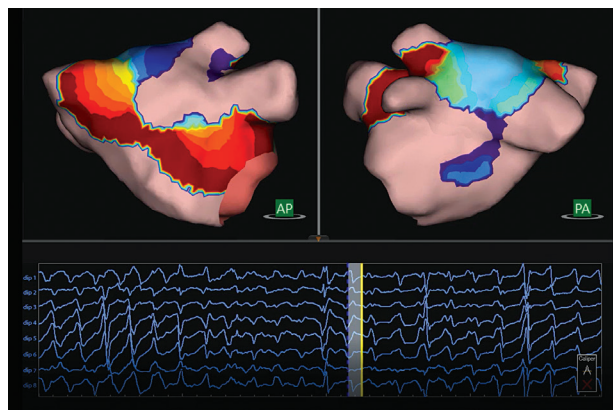
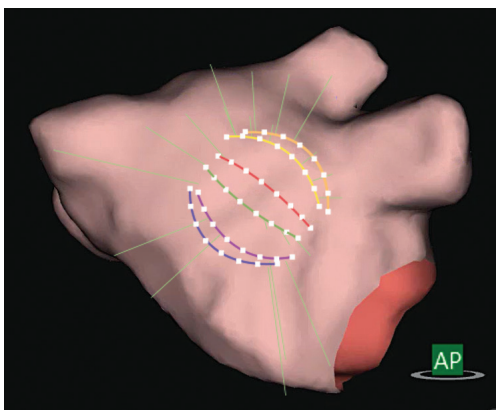
Acquisition of up to **115,000 ultrasound data points per minute** for anatomy reconstruction

ULTRA HIGH RESOLUTION CHARGE DENSITY MAPS

Collection of up to **150,000 biopotential samples per second** for display of full chamber, real-time, high resolution cardiac electrical activity

OPTIMAL MANEUVERABILITY

Ease of maneuverability using the AcQGuide® Steerable Sheath

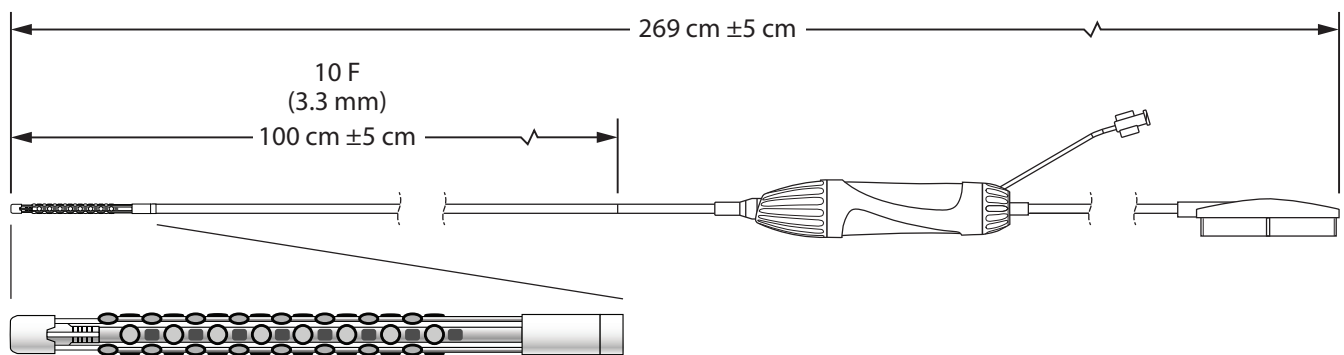


The AcQMap® System is a stand-alone EP mapping platform that has the unique ability to create cardiac anatomy utilizing ultrasound and provide full chamber, ultra-high resolution, real-time 3D maps of stable and unstable atrial arrhythmias.

INTENDED USE

The AcQMap 3D Imaging and Mapping Catheter is intended to be used in the right and left atrial chambers to collect ultrasound data for visualizing the selected chamber and recording electrical

impulses in patients with complex arrhythmias that may be difficult to identify using conventional mapping systems alone.



ORDER NUMBER	DESCRIPTION	USABLE LENGTH	DEPLOYED DIAMETER	GUIDEWIRE COMPATIBILITY	NUMBER OF ELECTRODES	NUMBER OF ULTRASOUND TRANSDUCERS
900003	AcQMap 3D Imaging and Mapping Catheter	100 cm	25 mm	0.032 in	48	48

For more information please contact your Acutus Medical representative:

ACUTUS MEDICAL, INC.

2210 Faraday Ave
Suite 100
Carlsbad, CA 92008
United States
Tel: +1-442-232-6080

ACUTUS MEDICAL NV

Ikaroslaan 25
1930 Zaventem
Belgium
Tel. +32 2 669 75 00
Fax. +32 2 669 75 01

Prior to using these devices, please review the instructions for use for a complete listing of indications, contraindications, warnings, precautions, potential adverse events and directions for use. The AcQMap and AcQGuide devices are CE Marked and FDA cleared.

For further information regarding Acutus Medical and its products, please visit acutusmedical.com

Acutus Medical, the Acutus Medical logo, AcQGuide and AcQMap are registered trademarks of Acutus Medical, Inc. This material is the property of Acutus Medical and its subsidiaries. Please do not copy, forward, or distribute this document. Copyright © 2019 Acutus Medical, Inc. All rights reserved.

ACUTUS[®]
M E D I C A L